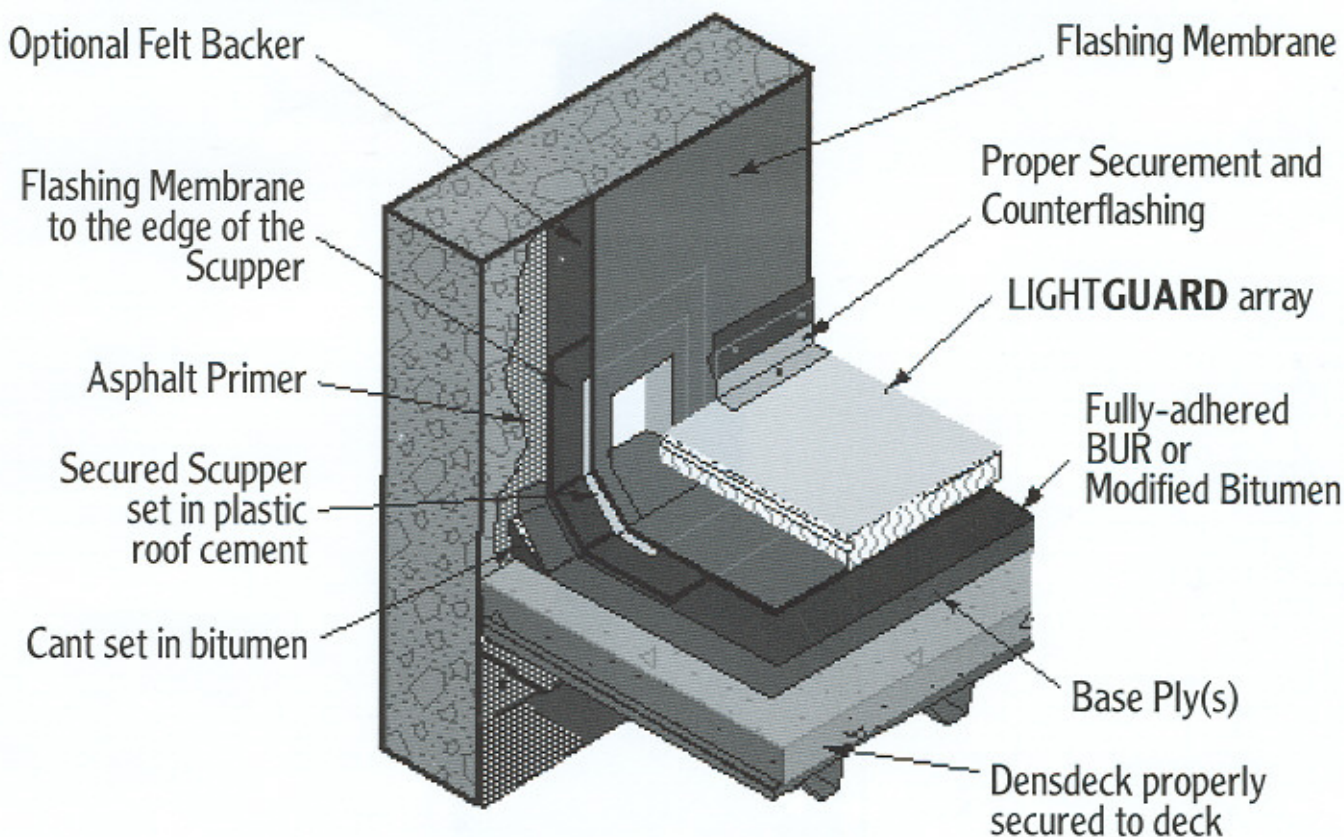


# Details

## Scupper Detail For LIGHTGUARD® On Fully-Adhered Membranes



®LIGHTGUARD is a registered trademark of T. Clear Corporation