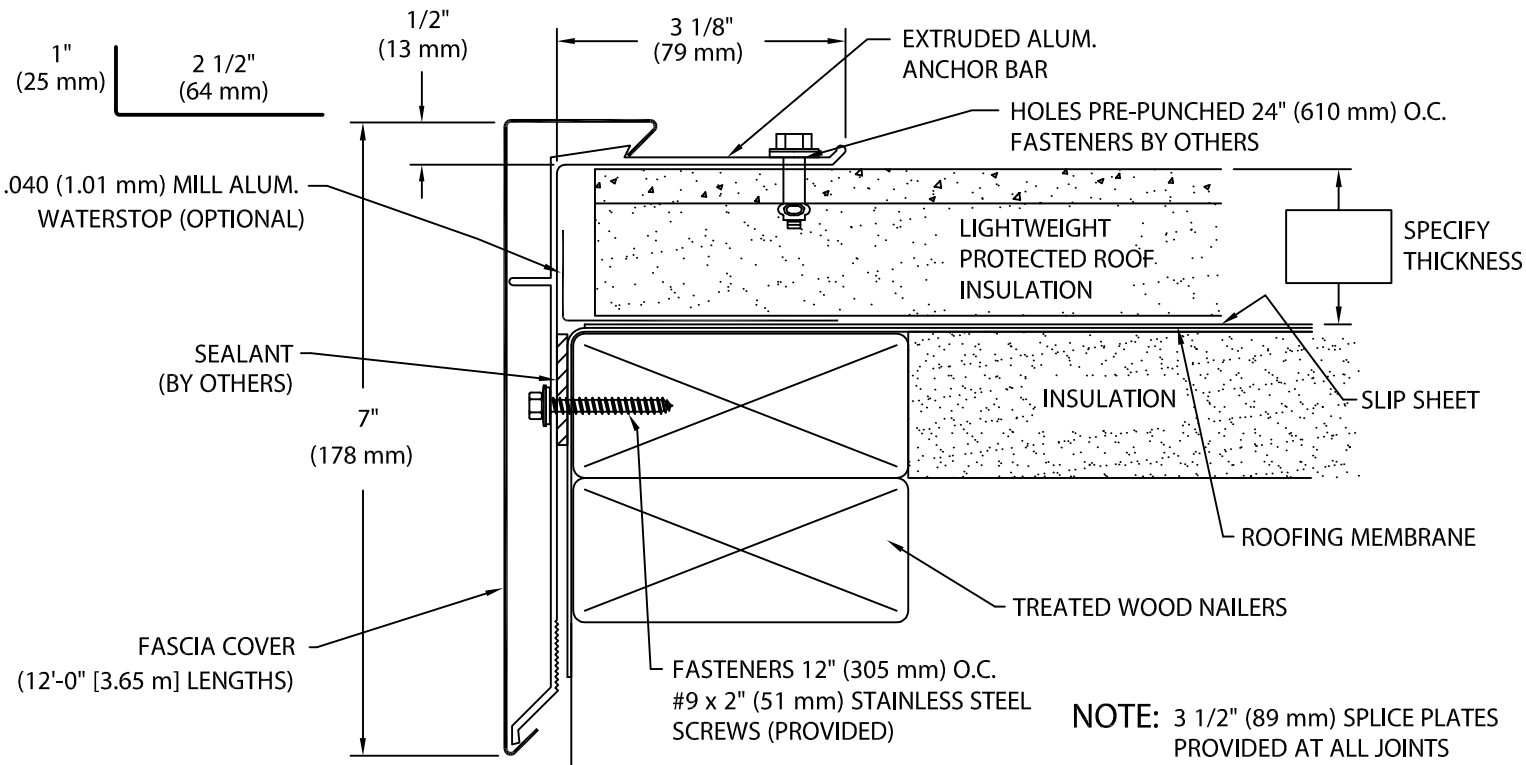


# PMR LOCK FASCIA

LIGHTWEIGHT PROTECTED MEMBRANE ROOFING VERSION



Fascia is to be installed per Specifications and Metal-Era's Installation Instructions Dwg. # 11110-1719

OPTIONAL: .040" (1.01 mm) MILL ALUMINUM WATERSTOP

\* PLEASE SUPPLIED BY METAL-ERA  
CHECK ONE \* YES  NO

**MATERIAL:**  
 \_\_\_ 24 Ga. (.65 mm) Galv. Steel  
 \_\_\_ .040" (1.01 mm) Aluminum  
 \_\_\_ .050" (1.27 mm) Aluminum  
 \_\_\_ .063" (1.60 mm) Aluminum  
 \_\_\_ OTHER \_\_\_\_\_

Color: \_\_\_\_\_ Finish: \_\_\_\_\_

Fabrication will proceed only after receipt of signed print approval.

## Print Approval:

Architect and/or contractor shall verify all dimensions, sizes and quantities. All products to be installed in strict accordance with Metal-Era's printed instructions.

Approved by: \_\_\_\_\_

Date: \_\_\_\_\_

## QUANTITIES:

\_\_\_\_\_ Lineal Feet 12'-0" (3.65 m) Lengths

\_\_\_\_\_ Outside Miters @ ( \_\_\_\_\_ )°

\_\_\_\_\_ Inside Miters @ ( \_\_\_\_\_ )°

PROJECT:

ARCHITECT:

ROOFING CONTRACTOR:

REPRESENTATIVE/DISTRIBUTOR:

Corporate Offices, Manufacturing  
1600 Airport Road; Waukesha, WI 53188  
Phone: 800-558-2162  
Fax: 800-373-9156  
www.metalera.com



DATE: 01/11/10

DRN BY: JJC

CKD BY: SAK

SHT.# \_\_\_\_\_ OF \_\_\_\_\_

DWG# 11010-1610

G