

Util-A-Crete®

The Front-Runner In Backer Board™

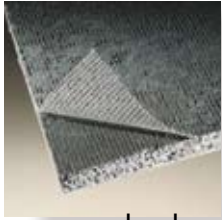
- Floors
- Countertops
- Walls & Ceilings
- Exteriors
- Residential & Commercial



 **FinPan**

Standard ASTM Test Methods prove that Util-A-Crete is the strongest concrete backer board in the industry.

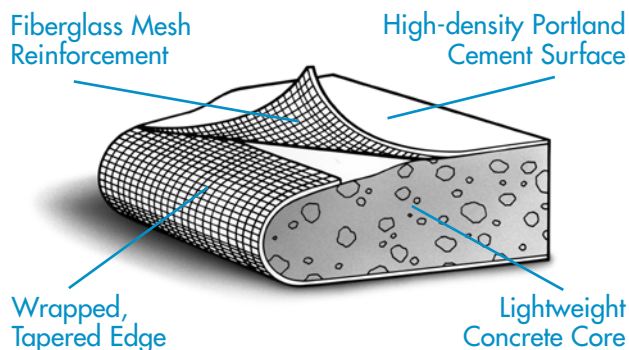
Util-A-Crete CONCRETE BACKER BOARD



Util-A-Crete® is a lightweight, concrete backer board specifically designed to provide a permanent base for a wide variety of both interior and exterior construction applications. Made of durable portland cement, alkaline resistant fiberglass mesh and lightweight aggregate, Util-A-Crete is a superior underlayment for ceramic tile and other facing materials used on walls, ceilings, floors, countertops and exteriors. Util-A-Crete is non-toxic, environmentally safe, contains no asbestos, and is non-combustible.

With a compressive strength of ≥ 2600 psi (ASTM D 2394) and flexural strength of ≥ 1500 psi (ASTM C 947), Util-A-Crete is proven to be the **strongest backer board in the industry** – ideal for high impact areas such as foyers, kitchens, bathrooms and utility rooms.

Unlike wood or gypsum-based products, Util-A-Crete is unaffected by water, moisture or steam and will not decay, warp, rot or soften. It actually increases in strength and hardness over time. This makes it well-suited for areas constantly exposed to water such as spas, steam rooms and indoor pools.



Util-A-Crete is available in a variety of sizes and thicknesses. The 1/2" and 5/8" backer boards feature a wrapped, tapered edge which makes them easier to handle and install.

The thinner 1/4" board was specifically designed for today's dramatic new tile, marble and stone applications on floors and countertops. When applied under ceramic floors, 1/4" Util-A-Crete



reduces the need to shorten doors over thresholds and reduces level variations when abutting carpet and other flooring materials. As a countertop substrate, Util-A-Crete is easier to cut and install. The combination of flexibility and strength make 1/4" Util-A-Crete the ideal underlayment for interior and exterior curved applications.

Features

- 1/4", 1/2", and 5/8" thicknesses; sizes up to 8' by 3' wide
- Wrapped, tapered edge
- Water and moisture resistant
- Contains Portland cement, fiberglass mesh, and lightweight aggregate
- No additives or fillers
- Approved for interior and exterior use
- Low coefficient of expansion and contraction

Benefits

- 1/4" ideal for curved tile applications
- Easy to cut, score and install
- Superior fastener pull-through resistance
- Unsurpassed flexural and compressive strength
- Will not decay, warp, soften, rot or swell
- Can be fastened with nails or screws
- Increases in strength and hardness over time

Limitations

Util-A-Crete Backer Board is water resistant, but allows water and water vapor passage. If total waterproofing is required, the use of a waterproofing membrane is mandatory.

Util-A-Crete units are not to be used as structural load-bearing members.

Util-A-Crete must never be used over cushioned vinyl flooring. This type of flooring must be removed before Util-A-Crete is installed.

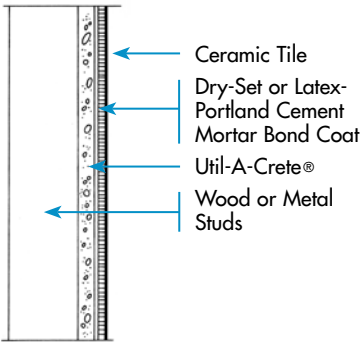
Typical Details

SIZES

Thickness	Width	Length	Edge	Wt/sq.ft.
1/4"	3'	4', 5', 64"	Wrapped	1.98
1/2"	3'	4', 5', 64", 6', 8'*	Wrapped	3.0
5/8"	3'	4', 5', 6'	Wrapped	3.5

*Special Order

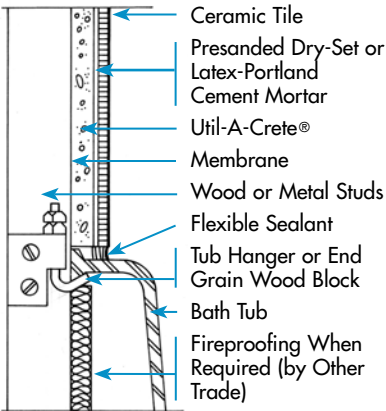
Walls, Interior



Materials

- Util-A-Crete backer board
- 2" glass fiber mesh tape
- Dry-set mortar, ANSI A118.1
- Grout, ANSI A118.6 (specify type)
- Latex-portland cement mortar, ANSI A118.4

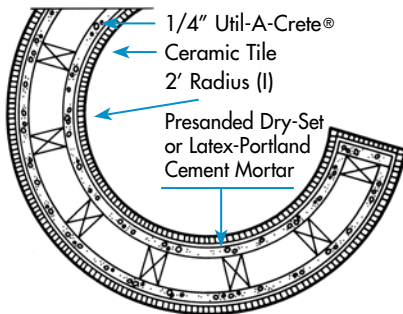
Walls, Bath



Materials

- Util-A-Crete backer board
- 2" glass fiber mesh tape
- Dry-set mortar, ANSI A118.1
- Latex-portland cement mortar, ANSI A118.4
- Grout, ANSI A118.6 (specify type)
- Elastomeric caulking, silicone rubber
- Metal Studs, ASTM C645

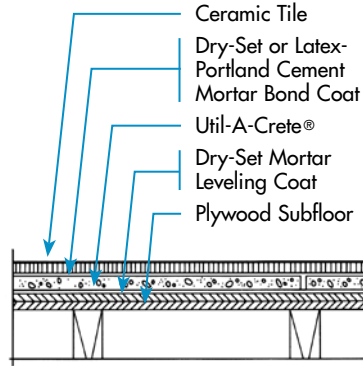
Bath/Spa Surround



Materials

- 1/4" Util-A-Crete backer board
- 2" glass fiber mesh tape
- Dry-set mortar, ANSI A118.1
- Grout, ANSI A118.6 (specify type)
- Latex-portland cement mortar, ANSI A118.4

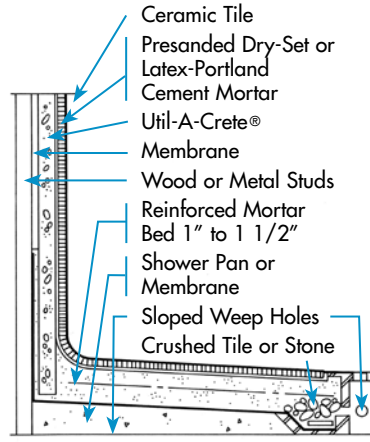
Floors, Interior



Materials

- Util-A-Crete backer board
- 2" glass fiber mesh tape
- Dry-set mortar, ANSI A118.1
- Grout, ANSI A118.6 (specify type)
- Latex-portland cement mortar, ANSI A118.4

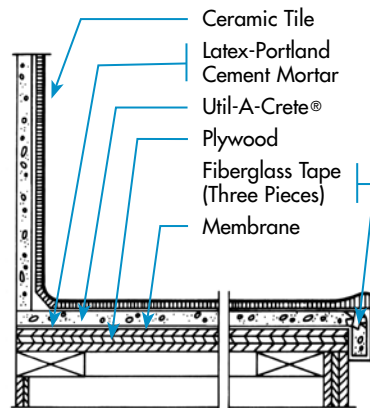
Walls, Shower



Materials

- Util-A-Crete backer board
- 2" glass fiber mesh tape
- Dry-set mortar, ANSI A118.1
- Latex-portland cement mortar, ANSI A118.4
- Grout, ANSI A118.6 (specify type)
- Metal Studs, ASTM C645

Countertops



Materials

- Util-A-Crete backer board
- 3/4" exterior grade plywood base
- 1-1/4" galvanized roofing nails; applied 6" o.c.
- Latex-portland cement mortar, ANSI A118.4
- Latex-portland cement grout, ANSI A118.6 or epoxy ANSI A118.3
- 15 lb. roofing felt or 4 mil. polyethylene film or duplex-type reinforced asphalt paper membrane

Technical Information

Certification, Codes

Fire Rated Assemblies

Util-A-Crete Backer Board units have been approved for use in construction which requires a fire-resistant rated wall. A one-hour rated wall assembly consists of 20-gauge 3-1/2" steel studs, one layer of 7/16" Util-A-Crete on one side and one layer of 5/8" Type X gypsum wallboard on the opposite side, with mineral fiber insulation batts in the stud cavities. Uniquely, this rating was achieved without any facing material (e.g. ceramic tile or marble) over either the Util-A-Crete or gypsum board, which allows the owner, architect or contractor greater flexibility in designing the finished surface, while retaining or even enhancing the one-hour rating. (Tests were conducted pursuant to ASTM E-119-83, as a non-load-bearing wall, fire-rated both sides, under the supervision of Construction Technology Laboratories.

Recognition

- CABO NER-419
- ICBO, SBCCI, BOCA
- City of New York MEA 293-89-M and MEA 340-90-M
- CTI Approved
- UL Listed 42 X 2 "Floor Protectors and Wall Shields"

Fastening

Wood Studs: These must be 3 1/2" deep and no more than 16" o.c. Use conventional 1 1/2" galvanized roofing nails, preferably screw type, spaced a maximum of 8" apart, or 1 1/4" Hi-Lo® type-S-point screws

Steel Studs: These must be 20-gauge or heavier and no more than 16" o.c. When using 20-gauge studs, use a corrosion resistant 1 1/4" Hi-Lo bugle head type-S-point screw or 1 1.4" RocOn type-S-point screw. When using 18 to 20 gauge studs, use a corrosion resistant 1 1/4" #3 screw with a type S-12 self-drilling point or a corrosion resistant screw with a self-embedding head and a self-drilling point available from your Util-A-Crete

distributor. All screws must be spaced a maximum of 8" apart.

Performance Properties

Util-A-Crete, when tested by independent laboratories*, using Standard ASTM test methods, has the following performance properties:

Performance Property	Test Method	Value
Compressive Strength (Indentation)	ASTM-D-2394	≥2600psi
Flexural Strength	ASTM-C-947	≥1500psi
Linear Variations with change in moisture to air dry (50% R.H., 73°)		
C-34-84	ASTM-D-1037	
Width		0.02%
Length		0.02%
Surface Burning Characteristics	ASTM-E-84	Flame Spread – 5 Smoke Level – 0
Fire Rating	ASTM-119	1 Hour Rating
Density Weight/sq.ft.		Avg. 3 lbs
Fastener Pull-through	ASTM-D-1037	≥195lbs
Bond Strength Ceramic Tile (Wet & Dry)	ASTM-A-118.1-118.4	≥50lbs

*Independent laboratory test reports available upon request

Limited Warranty

FinPan, Inc. warrants that this product meets or exceeds applicable manufacturing standards in force at the time of manufacture. FinPan will, at its option, repair or replace any product which proves defective due to manufacturing. This warranty shall apply only if the product is used strictly according to applicable specifications, and/or instructions provided by FinPan for its use. FinPan shall not be liable otherwise.



3255 Symmes Road • Hamilton, OH 45015

800-833-6444 • Fax 513-870-9606

Email: sales@finpan.com • www.finpan.com