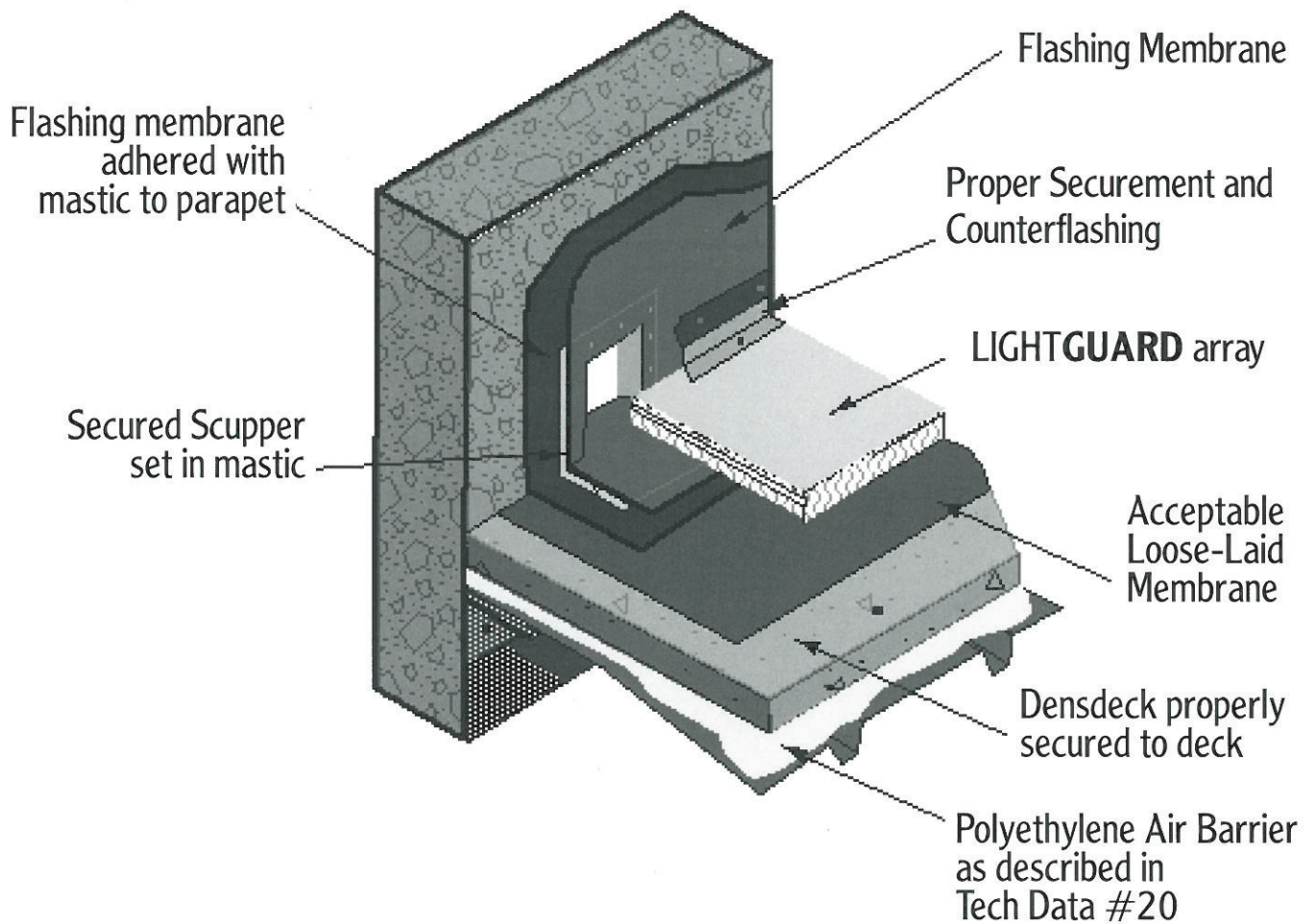


Details

Scupper Detail For LIGHTGUARD® On Loose-Laid Membranes



©LIGHTGUARD is a registered trademark of T. Clear Corporation