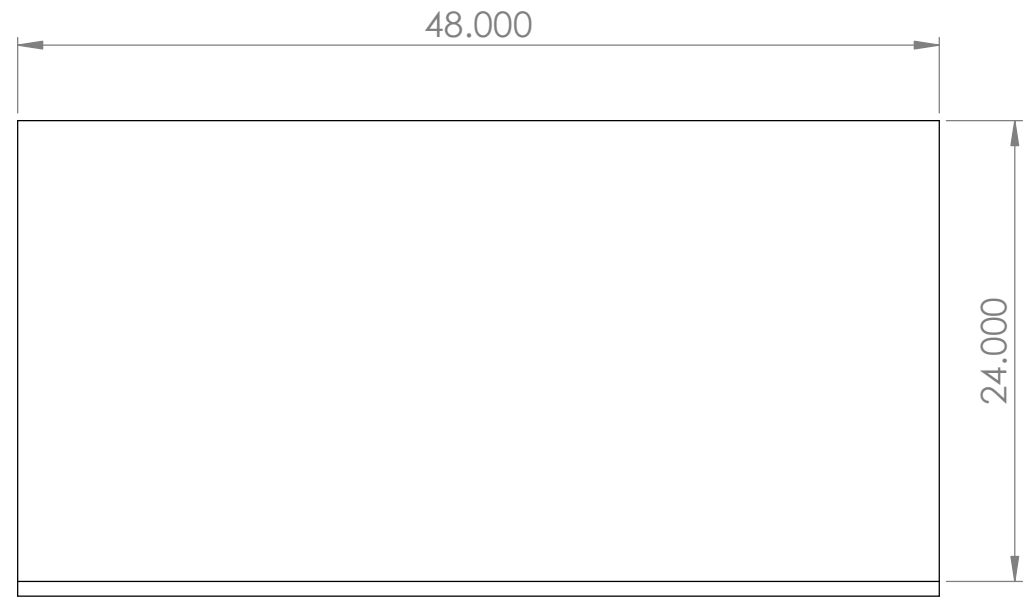
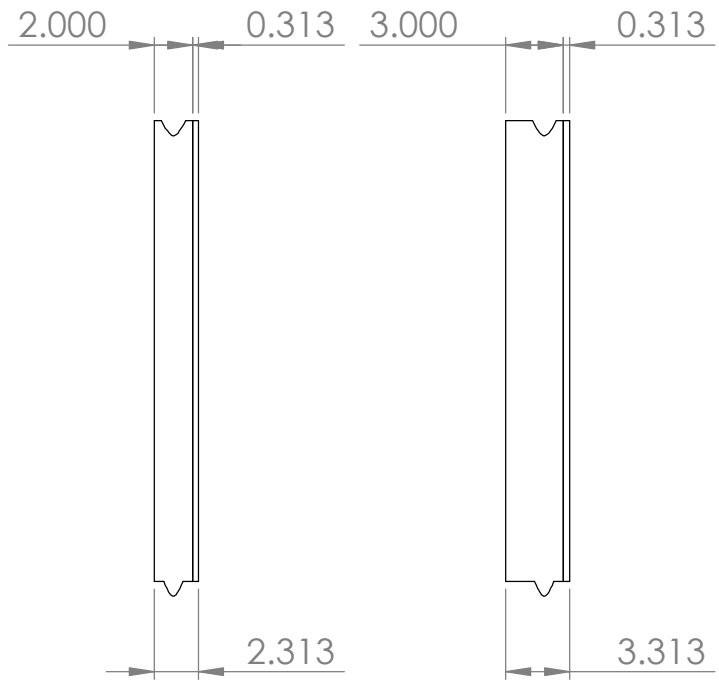
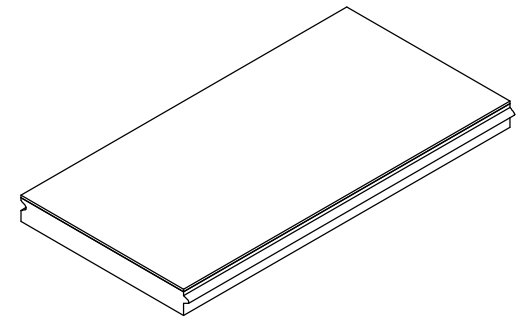


2

1

B

B



A

A

- True 5/16" Concrete Top
- Available with 2" or 3" Extruded Polystyrene

T.CLEAR

TITLE:
**WALLGUARD
 PRODUCT LINE**

SIZE	DWG. NO.	REV
A	WG	
SCALE: 1:10	1/3/2017	SHEET 1 OF 1

2

1